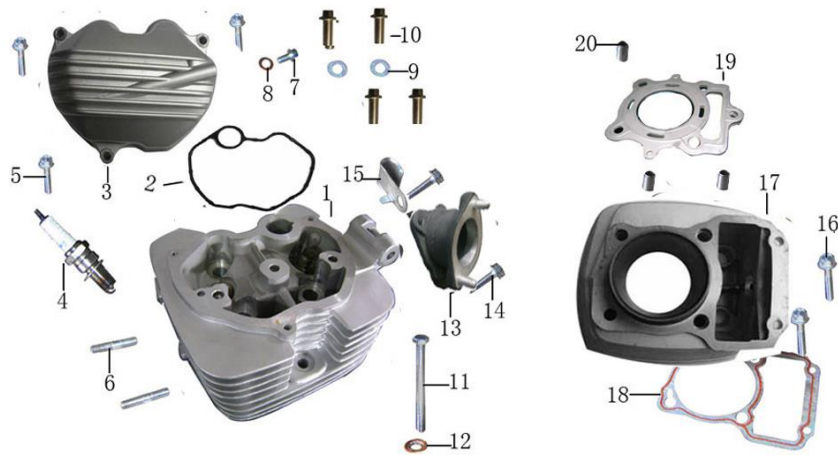
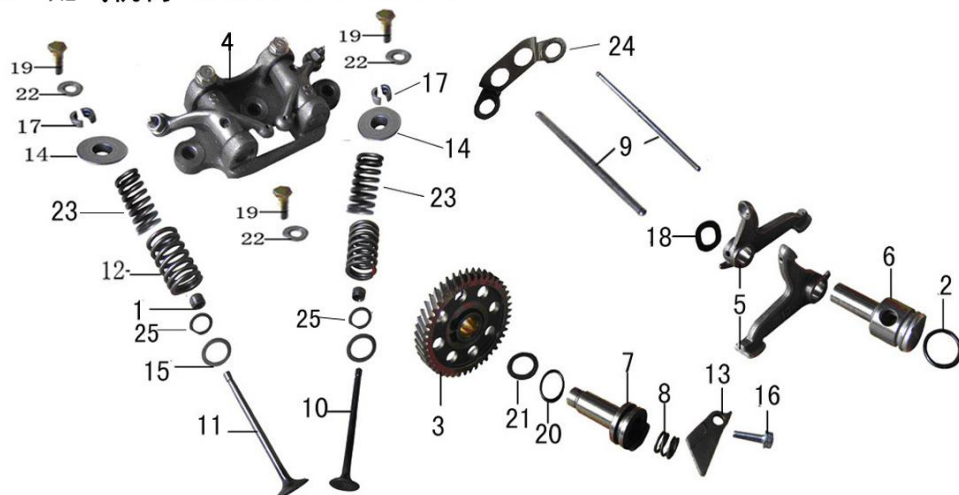


E-01 气缸体、气缸头 CYLINDER BLOCK & CYLINDER HEAD



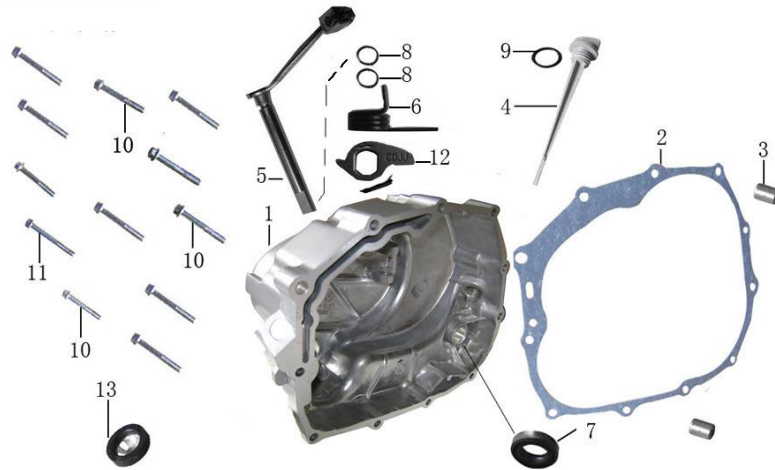
Id	PartNo	Description	Unit
E01-01	1L12012210	Cylinder Head Comp	PC
E01-02	1712012312	Cylinder Head Cover Gasket	PC
E01-03	1712012311	Cylinder Head Cover	PC
E01-04	1712034210	Spark Plug D8TC (D8EA NGK	PC
E01-05	GB/T16674.1	Bolt M6×28	PC
E01-06	GB/T900	Stud M8×40	PC
E01-07	GB/T16674.1	Bolt M6×12	PC
E01-08	1712012315	Cylinder Head Cover Oil Passage Washer	PC
E01-09	1712012271	Cylinder Head Washer	PC
E01-10	1712012313	Nut Cap	PC
E01-11	1L12012237	Cylinder Head Screw M8×89	PC
E01-12	1L12012236	Cylinder Head Washer 8	PC
E01-13	1L12017311	Inlet Pipe	PC
E01-14	GB/T16674.1	Bolt M6×22	PC
E01-15	1712034931	Ignition Coil Wire Clip	PC
E01-16	GB/T29.2	Bolt M6×22	PC
E01-17	1L12012110	Cylinder Block Comp	PC
E01-18	1711012120	Gasket, Ylinder Block	PC
E01-19	1L12012220	Cylinder Head Gasket Comp	PC
E01-20	1712012218	Cylinder Head Dowel Pin	PC

E-02 配气机构 CAMSHAFT & VALVES



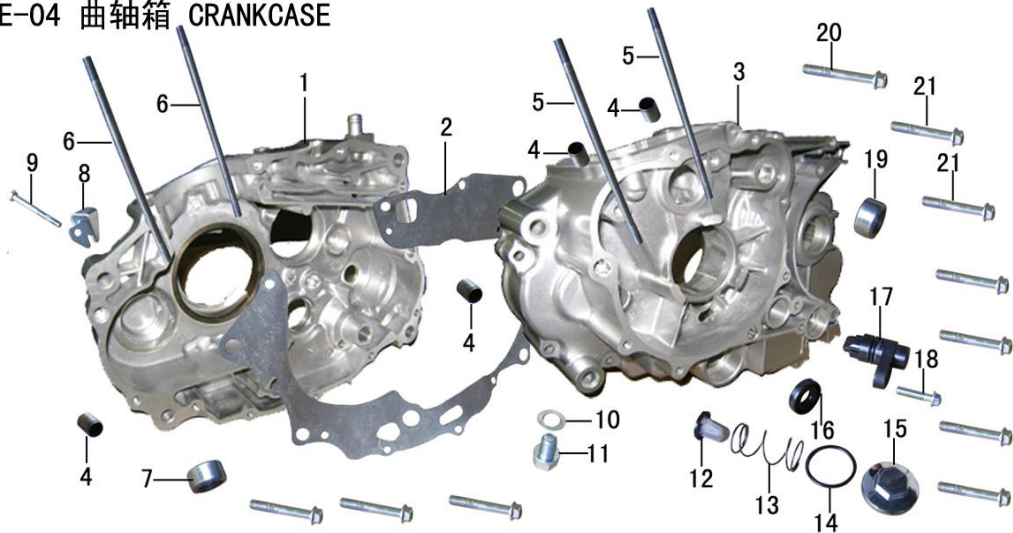
Id	PartNo	Description	Unit
E02-01	1712014730	Valve Stem Seal	PC
E02-02	1712014453	Lower Rocker O-Ring	PC
E02-03	1712014220	Timing Driven Gear Set	PC
E02-04	1712014440	Rocker Bracket Comp	PC
E02-05	1712014451	Lower Rocker	PC
E02-06	1L12014452	Lower Rocker Shaft	PC
E02-07	1L12014111	Camshaft	PC
E02-08	1712014134	Camshaft Spring	PC
E02-09	1L12014250	Rocker Arm Pusher	PC
E02-10	1L12014710	Intake Valve	PC
E02-11	1L12014720	Exhaust Valve	PC
E02-12	1712014755	Valve Outer Spring	PC
E02-13	1712014137	Camshaft Stopper	PC
E02-14	1712014751	Valve Spring Retainer	PC
E02-15	1712014753	Valve Spring Outer Seat	PC
E02-16	GB/T16674.1	Bolt M6×12	PC
E02-17	1711014752	Valve Split Cone	PC
E02-18	1712014454	Lower Rocker Wave Washer	PC
E02-19	GB/T5783	Bolt M8×30	PC
E02-20	1712014136	Camshaft O-Ring	PC
E02-21	1712014116	Camshaft Adjusting Shim	PC
E02-22	1712014425	Rocker Shaft Washer	PC
E02-23	1712014756	Valve Inner Speing	PC
E02-24	1712014261	Push Rod Support	PC
E02-25	1712014754	Valve Spring Inner Seat	PC

E-03 右曲轴箱盖 RIGHT CRANKCASE COVER



Id	PartNo	Description	Unit
E03-01	1L12P11310	Crankcase Cover Comp RH	PC
E03-02	1712011319	Crankcase Cover Gasket RH	PC
E03-03	1712011318	Crankcase Cover Dowel Pin RH	PC
E03-04	1712015611	Plasitic Dipstick	PC
E03-05	1712022810	Clutch Lever Comp	PC
E03-06	1712022821	Clutch Lever Spring	PC
E03-07	1712027190	Starting Shaft Oil Seal	PC
E03-08	1712022823	Clutch Lever O-Ring	PC
E03-09	1712015612	Dipstick O-Ring	PC
E03-10	GB/T16674.1	Bolt M6×40	PC
E03-11	GB/T16674.1	Bolt M6×55	PC
E03-12	1712022822	Clutch Cam	PC
E03-13	171M115620	Sight Glass	PC

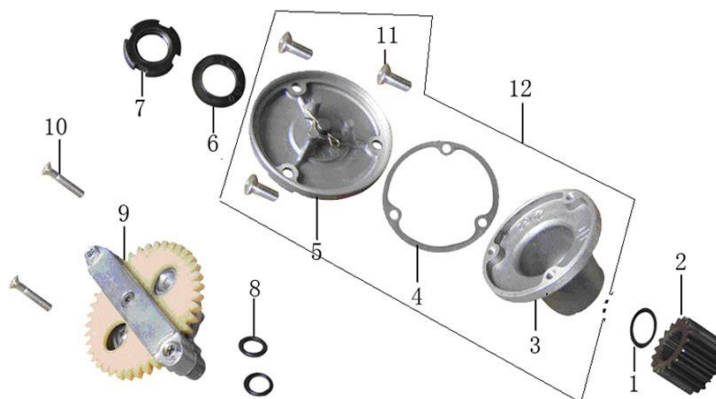
E-04 曲轴箱 CRANKCASE



Id	PartNo	Description	Unit
E04-01	1L12P11110	Crankcase Comp RH	PC
E04-02	1L12P11119	Crankcase Gasket	PC
E04-03	1L12P11210	Crankcase Comp LH	PC

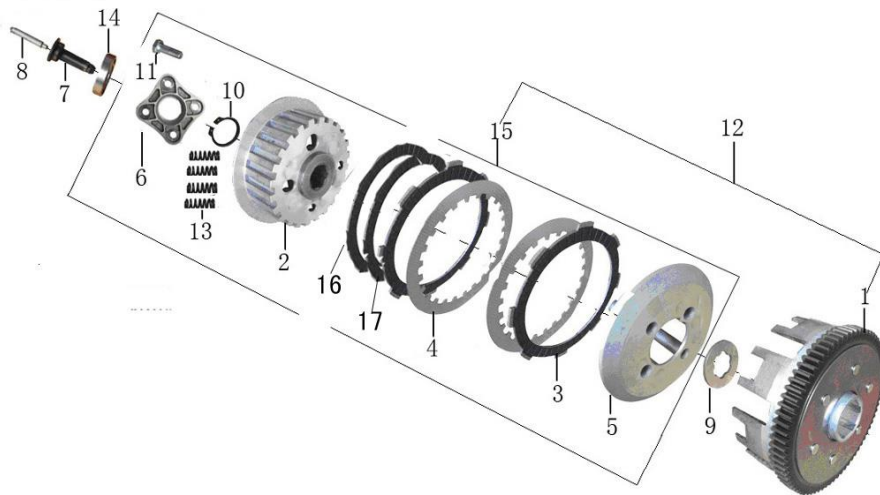
E04-04	1712011118	Crankcase Dowel Pin	PC
E04-05	1L12012343	Cylinder Stud B	PC
E04-06	1L12012342	Cylinder Stud A	PC
E04-07	GB/T290	Needle Bearing HK 212810	PC
E04-08	1L12P22824	Clutch Cable Adjusting Stay	PC
E04-09	GB/T16674.1	Bolt M6×55	PC
E04-10	1712011213	Plug Drain Washer	PC
E04-11	1712011212	Crankcase Drain Plug	PC
E04-12	1712015450	Gauze Set	PC
E04-13	1712015461	Gauze Spring	PC
E04-14	1712015462	Gauze Cover O-Ring	PC
E04-15	1712015463	Gauze Cover	PC
E04-16	1712024190	Gearshift Shaft Oil Seal	PC
E04-17	1712011230	Pin-Keeping Body Comp	PC
E04-18	GB/T16674.1	Bolt M6×20	PC
E04-19	GB/T290	Needle Bearing HK101400	PC
E04-20	GB/T16674.1	Bolt M6×100	PC
E04-21	GB/T16674.1	Bolt M6×50	PC

E-05 机油泵、机油滤清器 OIL PUMP & OIL FILTER



Id	PartNo	Description	Unit
E05-01	1712027114	Oil Filter Washer ($\phi 20 \times \phi 27 \times 0.5$)	PC
E05-02	1711022621	primary drive Gear	PC
E05-03	1712015420	Oil Filter Rotator Comp	PC
E05-04	1712015415	Oil Filter Cover Gasket	PC
E05-05	1712015414	Oil Filter Cover	PC
E05-06	1712022632	Primary Drive Gear Thrust Washer	PC
E05-07	1712022631	primary drive gear Locknut	PC
E05-08	1712015131	oil pump O-ring ($\phi 9.4 \times \phi 2.4$)	PC
E05-09	1L12P15100	Oil Pump Assy	PC
E05-10	GB/T819.1	Screw M6×30	PC
E05-11	GB/T819.1	Screw M5×12	PC
E05-12	1712015410	Oil Filter Assy	PC

E-06 离合器 CLUTCH



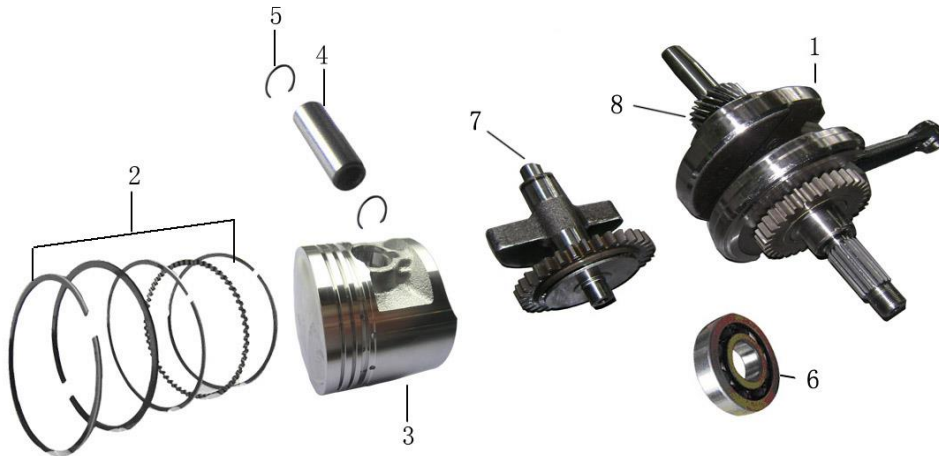
Id	PartNo	Description	Unit
E06-01	1711022110	Clutch Outer Comp	PC
E06-02	1L110022320	Clutch Center Comp	PC
E06-03	1L11022330	Clutch Friction Disc Set	PC
E06-04	1L11022341	Clutch Plate	PC
E06-05	1L11022351	Clutch Pressure Plate	PC
E06-06	1712022361	Clutch Lifter Plate	PC
E06-07	1711022861	Clutch Pusher	PC
E06-08	1711022871	Clutch Lifter	PC
E06-09	1712022372	Splined Washer	PC
E06-10	GB/T894.1	Circlip 17	PC
E06-11	GB/T16674.1	Bolt M5×22	PC
E06-12	TL12522100	Clutch Main Body	PC
E06-13	1L11022371	Spring Clutch	PC
E06-14	GB/T276	Bearing 16003	PC
E06-15	1L12022310	Clutch Center Assy	PC
E06-16	1L11022343	Retiiner Disc Spring	PC
E06-17	1L11022342	Judder spring	PC

E-07 左曲轴箱盖、磁电机 LEFT CRANKCASE COVER & MAGNETO



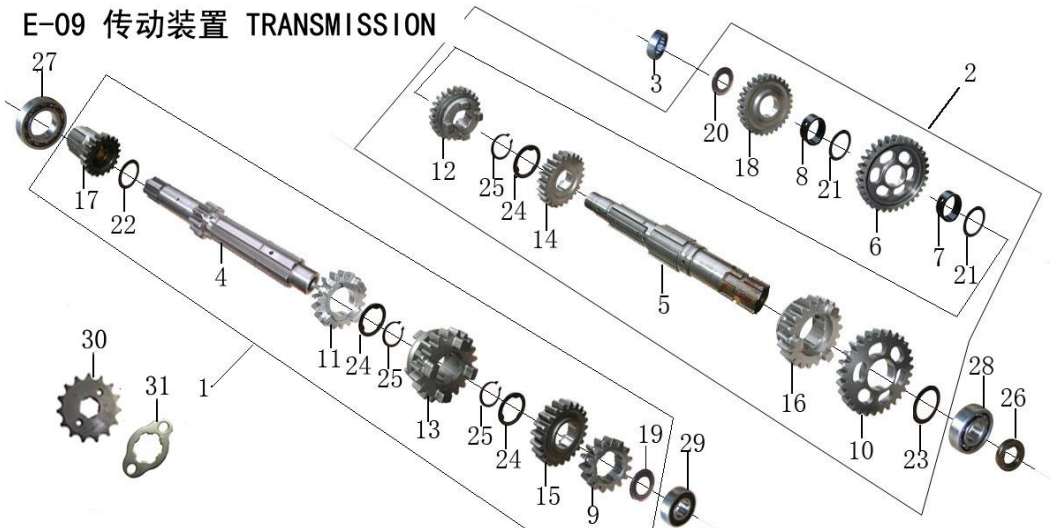
Id	PartNo	Description	Unit
E07-01	1712011411	Crankcase Cover LH	PC
E07-02	1712011318	Crankcase Cover Dowel Pin RH	PC
E07-03	GB/T290	Needle Bearing Hk1010	PC
E07-04	1712035740	Indicator Oil Seal	PC
E07-05	1712035720	Gear Indicator Comp	PC
E07-06	1712031210	Magneto Stator Comp	PC
E07-07	1712031213	Wire Clamp	PC
E07-08	GB/T16674.1	Bolt M6×22	PC
E07-09	GB/T16674.1	Bolt M6×12	PC
E07-10	1712011412	View Hole Plug	PC
E07-11	1712011413	Left Crankcase Cover Brand	PC
E07-12	1712031311	Magneto Screw	PC
E07-13	1712013190	Crankshaft Oil Seal LH	PC
E07-14	1712031102	Magneto Rotor Assy	PC
E07-15	1712011419	Crankcase Cover Gasket LH	PC
E07-16	1712011415	Plug O-Ring	PC
E07-17	1712011414	View Hole Plug O-Ring	PC
E07-18	1712011422	Idler Cover O-Ring	PC
E07-19	GB/T16674.1	Screw M5×16	PC
E07-20	GB/T16674.1	Screw M5×28	PC
E07-21	GB/T16674.1	Bolt M6×30	PC
E07-22	GB/T16674.1	Bolt M6×45	PC
E07-23	1712011421	Idlercover	PC
E07-24	1712059711	Rear Cover LH	PC

E-08 曲轴、活塞 CRANKSHAFT & PISTON



Id	PartNo	Description	Unit
E08-01	1L12P13100	Crankshaft & Connecting Rod	PC
E08-02	1L11013300	Piston Ring Set	SET
E08-03	1L11013211	Piston	PC
E08-04	1712013221	Piston Pin	PC
E08-05	1712013222	Piston Pin Circlip	PC
E08-06	1L11013170	Crankshaft Bearing RH	PC
E08-07	1L12P13610	balance Shaft Assy	PC
E08-08	1712014211	timing drive Sprocket	PC

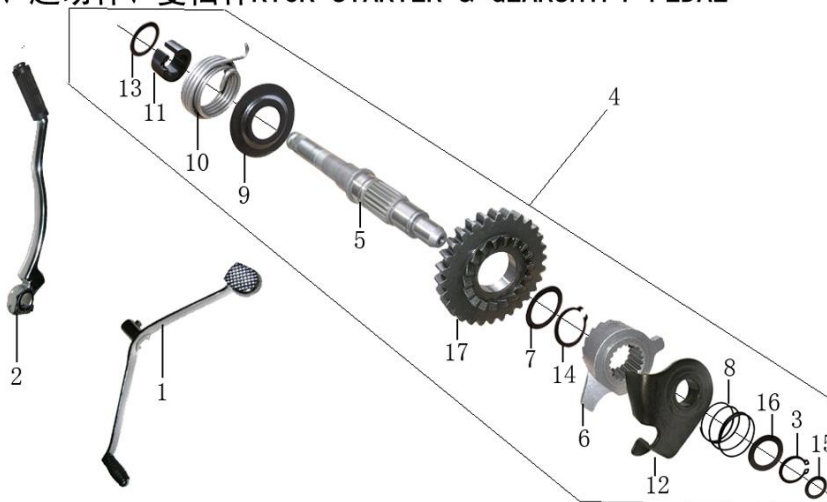
E-09 传动装置 TRANSMISSION



Id	PartNo	Description	Unit
E09-01	1712023600	Mainshaft Comp	SET
E09-02	1L12P23700	Countershaft Comp	SET
E09-03	GB/T290	Bearing NK152312	PC
E09-04	1712023611	Mainshaft	PC
E09-05	1L12P23771	Countershaft	PC
E09-06	1712023711	Countershaft 1st Gear	PC
E09-07	1712023712	Countershaft 1st Gear Bush	PC
E09-08	1712027223	Starting Mid-Gear Bush	PC

E09-09	1712023621	Mainshaft 2nd Gear	PC
E09-10	1712023721	Countershaft 2nd Gear	PC
E09-11	1712023631	Mainshaft 3rd Gear	PC
E09-12	1712023731	Countershaft 3rd Gear	PC
E09-13	1712023641	Mainshaft 4th Gear	PC
E09-14	1712023741	Countershaft 4th Gear	PC
E09-15	1712023651	Mainshaft 5th Gear	PC
E09-16	1712023751	Countershaft 5th Gear	PC
E09-17	1712027230	Starting Driven Gear Comp	PC
E09-18	1712027220	Mid-Gear Comp., Starting	PC
E09-19	1712023674	Mainshaft Washer	PC
E09-20	1712027224	Starting Mid-Gear Washer	PC
E09-21	1712023773	Countershaft Washer	PC
E09-22	1712027233	Starting Driven Gear Washer	PC
E09-23	1712023774	Countershaft Washer II	PC
E09-24	1712023675	Mainshaft Spline Washer	PC
E09-25	1712023672	Mainshaft Circlip	PC
E09-26	1712023790	Countershaft Oil Seal	PC
E09-27	GB/T276	Bearing 6006	PC
E09-28	GB/T276	Bearing 6204	PC
E09-29	GB/T276	Bearing 6202 RS	PC
E09-30	1L11022711	Output Sprocket	PC
E09-31	1712022712	Sprocket, Locating Plate	PC

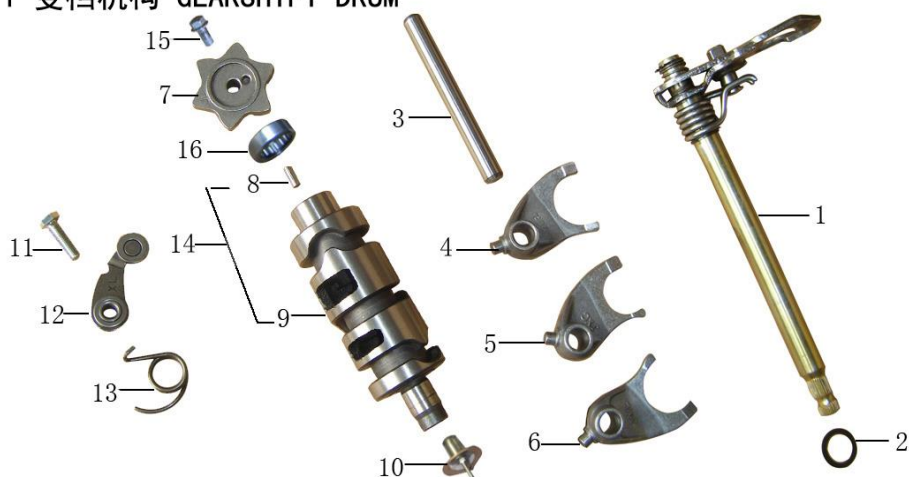
E-10 起动轴、起动杆、变档杆 KICK-STARTER & GEARSHIFT PEDAL



Id	PartNo	Description	Unit
E10-01	1712024700	Gearshift Rod Assy	PC
E10-02	1712027700	Kick-Starter Assy	PC
E10-03	GB/T894.1	Circlip 16	PC
E10-04	1712027100	Starting Shaft Assy	PC
E10-05	1712027111	Starting Shaft	PC
E10-06	1712027113	Ratchet	PC
E10-07	1712027114	Starting Shaft Washer I	PC
E10-08	1712027115	Starting Shaft Spring	PC

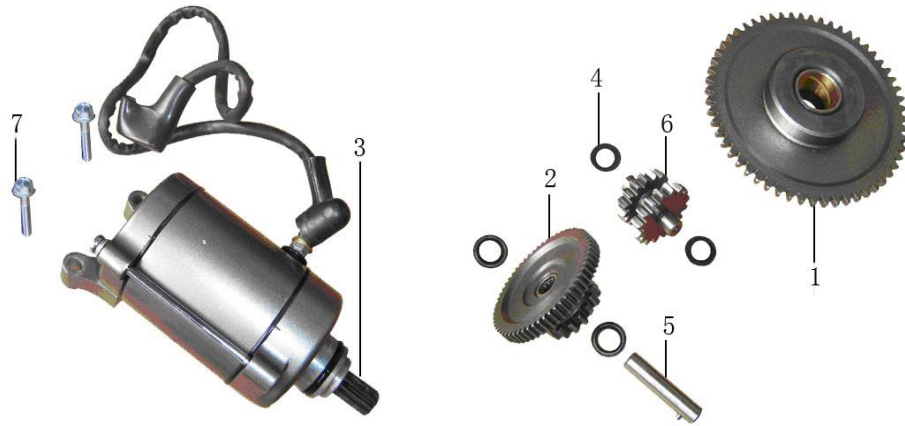
E10-09	1712027117	Starting Shaft Spring Seat	PC
E10-10	1712027118	Starting Return Sparing	PC
E10-11	1712027119	Starting Shaft Collar	PC
E10-12	1712027140	Spring Seat Comp	PC
E10-13	1712027141	Starting Shaft Washer II	PC
E10-14	1712027142	Starting Shaft Snap Ring	PC
E10-15	1712027144	Starting Shaft Washer III	PC
E10-16	1712027145	Starting Shaft Washer IV	PC
E10-17	1712027151	Starting Gear	PC

E-11 变档机构 GEARSHIFT DRUM



Id	PartNo	Description	Unit
E11-01	1L12P24100	Gearshift Shaft Assy	PC
E11-02	1712024124	Gearshif Shaft Washer	PC
E11-03	1712024421	Fork Shaft	PC
E11-04	1712024413	Fork III	PC
E11-05	1712024412	Fork II	PC
E11-06	1712024411	Fork I	PC
E11-07	1712024221	Gearshift Cam	PC
E11-08	1712024222	Gearshift Cam Pin	PC
E11-09	1L12P24211	Gearshift Drum	PC
E11-10	1712035760	Gear Indicator Contact Point Comp	PC
E11-11	GB/T5783	Bolt M6×20	PC
E11-12	1712024310	Gear Setting Plate Comp	PC
E11-13	1712024323	Setting Plate Torsion Spring	PC
E11-14	1712024210	Gearshift Drum Comp	PC
E11-15	GB/T16674.1	Bolt M6×30	PC
E11-16	GB/T290	Needle Bearing NK2110	PC

E-12 起动电机 STARTING MOTOR



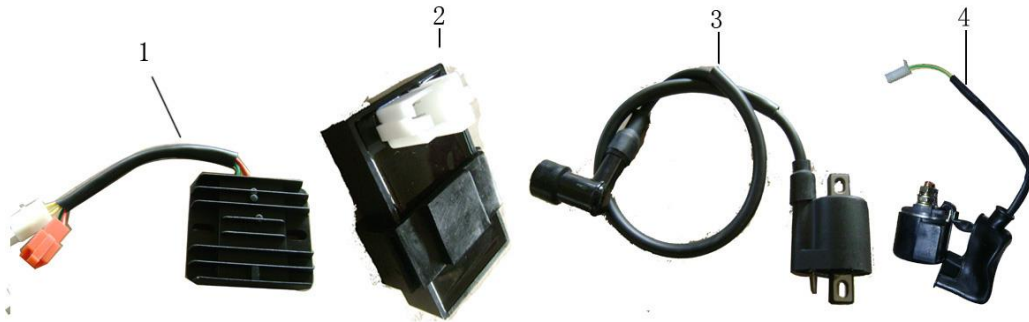
Id	PartNo	Description	Unit
E12-01	1712028150	Starting Clutch Gear Comp	PC
E12-02	1712028310	Dual-Gear Comp. I	PC
E12-03	1712034700	Electric Starter	PC
E12-04	1712028312	Dual-Gear Washer	PC
E12-05	1712028320	Dual-Gear Shaft Comp	PC
E12-06	1712028331	Dual-Gear II	PC
E12-07	GB/T16674.1	Bolt M6×28	PC

E-13 化油器总成 CARBURETOR



Id	PartNo	Description	Unit
E13-01	1L12016100	Carburetor	PC

E-14 电器 ELECTRIC ELEMENTS



Id	PartNo	Description	Unit
E14-01	1712031600	Voltage Regulator,	PC
E14-02	17120034400	Ignition Controller	PC
E14-03	1712034500	Coil Ignition	PC
E14-04	1712034600	Starting Relay	PC

