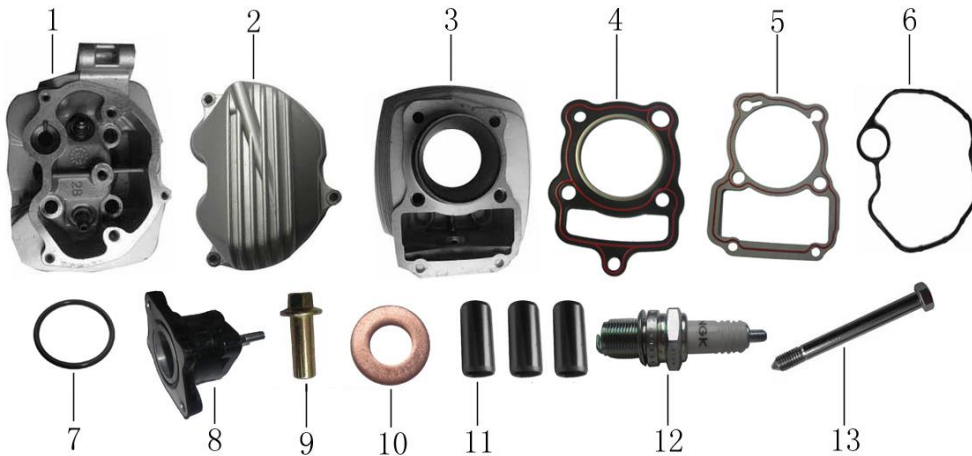


E-01 气缸体 气缸头 CYLINDER BLOCK & CYLINDER HEAD



Id	PartNo	Description	Unit
E01-01	1712012210	Cylinder Head Comp.	PC
E01-02	1712012311	Cylinder Head Cover	PC
E01-03	1712012110	Cylinder Block Comp.	PC
E01-04	1712012220	Cylinder Head Gasket	PC
E01-05	1712012121	Cylinder Block Gasket	PC
E01-06	1712012312	Cylinder head cover Gasket	PC
E01-07	1712017321	Inlet Pipe O-Ring 33.5x3	PC
E01-08	1712017310	Intake Pipe Set	PC
E01-09	1712012313	Cap Nut	PC
E01-10	1712012315	Cylinder Head Cover Oil Passage Washer	PC
E01-11	1712012218	Cylinder Head Dowel Pin 10x20	PC
E01-12	1712034210	Spark Plug(D8EA NGK)	PC
E01-13	1712012237	Stud M8x77	PC

E-02 配气机构 CAMSHAFT & VALVES



Id	PartNo	Description	Unit
E02-01	1712014710	Intake Valve	PC
E02-02	1712014720	Exhaust Valve	PC
E02-03	1712014440	Rocker Arm Bracket Comp.	PC
E02-04	1712014261	Push Rod Support	PC

E02-05	1712014250	Push Rod	PC
E02-06	1712014752	Valve Split Cone	PC
E02-07	1712014751	Valve Spring Retainer	PC
E02-08	1712014755	Valve Outer Spring	PC
E02-09	1712014756	Valve Inner Spring	PC
E02-10	1712014730	Valve Stem Oil Seal	PC
E02-11	1712014754	Valve Inner Spring Seat	PC
E02-12	1712014753	Valve Outer Spring Seat	PC
E02-13	1712014220	Timing Driven Gear	PC
E02-14	1712014114	Camshaft Washer	PC
E02-15	1712014111	Camshaft	PC
E02-16	1712014136	Camshaft O-Ring 20x2.5	PC
E02-17	1712014134	Camshaft Spring	PC
E02-18	1712014137	Camshaft Stopper	PC
E02-19	1712014454	Lower Rocker Wave Washer	PC
E02-20	1712014451	Lower Rocker Arm	PC
E02-21	1712014452	Lower Rocker Arm Shaft	PC
E02-22	1712014453	Lower Rocker O-Ring 17x2.5	PC

E-03 右曲轴箱盖 RIGHT CRANKCASE COVER



Id	PartNo	Description	Unit
E03-01	1712015611	Dipstick	PC
E03-02	1712011310	Crankcase Cover,RH	PC
E03-03	1712011319	Crankcase Cover Gasket,RH	PC
E03-04	1712015612	Dipstick O-Ring 18x3	PC
E03-05	1712027190	Oil Seal 16x28x7	PC
E03-06	1712011318	Crankcase Cover Dowel Pin 8x14,RH	PC
E03-07	1712025920	Speed Output Shaft Oil Seal 6.5x14.5x	PC
E03-08	1712025911	Speed Output Shaft	PC
E03-09	1712022810	Clutch Lever Comp.	PC
E03-10	1712022823	Clutch Lever O-Ring 6.8x1.9	PC
E03-11	1712022821	Clutch Lever Spring	PC
E03-12	1712022822	Clutch Separating Cam	PC

E-04 曲轴箱 CRANKCASE



Id	PartNo	Description	Unit
E04-01	1712011210	Crankcase Comp.,LH	PC
E04-02	1712012343	Cylinder Stud B	PC
E04-03	1712012342	Cylinder Stud A	PC
E04-04	1712011110	Crankcase Comp.,RH	PC
E04-05	1712011119	Crankcase Gasket	PC
E04-06	1712024190	Gearshift Shaft Oil Seal 14x28x7	PC
E04-07	GB/T290	Needle Bearing Hk212810	PC
E04-08	1712022824	Clutch Cable Adjusting Stay	PC
E04-09	1712011118	Crankcase Dowel Pin 10x14	PC
E04-10	1712011230	Pin-Keeping Body Comp.	PC
E04-11	1712011234	Crankcase O-Ring 13x2.5,LH	PC
E04-12	1712011213	Drain Plug Washer	PC
E04-13	1712011212	Drain Plug	PC
E04-14	1712015450	Oil Filter Screen	PC
E04-15	1712015461	Oil Filter Screen Spring	PC
E04-16	1712015462	Oil Filter Screen Cover O-Ring 35.5x3	PC
E04-17	1712015463	Oil Filter Screen Cover	PC

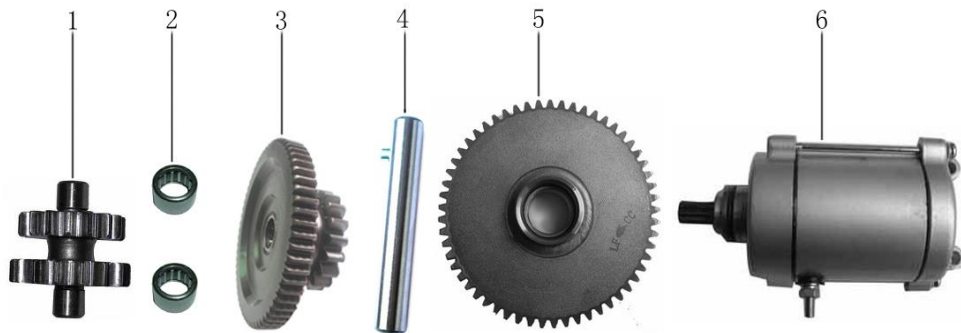
E-05 机油泵 机油滤清器 OIL PUMP & OIL FILTER



Id	PartNo	Description	Unit
----	--------	-------------	------

E05-01	1712015410	Oil Filter Assy	PC
E05-02	1712015414	Filter Cover	PC
E05-03	1712015415	Oil Filter Cover Gasket	PC
E05-04	1712015420	Oil Filter Rotator Comp.	PC
E05-05	1712015100	Oil Pump Assy	PC
E05-06	1712015129	Oil Pump Fixing Cover O-Ring 9.4x2.4	PC
E05-07	1712022621	Primary Drive Gear	PC
E05-08	1712022631	Primary Drive Gear Locknut	PC
E05-09	1712022632	Primary Drive Gear Thrust Washer	PC

E-06 起动机 STARTING MOTOR



Id	PartNo	Description	Unit
E06-01	1712028331	Dual-Gear Comp. II	PC
E06-02	GB/T290	Needle Bearing Hk101410	PC
E06-03	1712028310	Dual-Gear Comp. I	PC
E06-04	1712028320	Dual-Gear Shaft Comp.	PC
E06-05	1712028150	Starting Clutch Gear Comp.	PC
E06-06	1712034700	Motor Assy Starting	PC

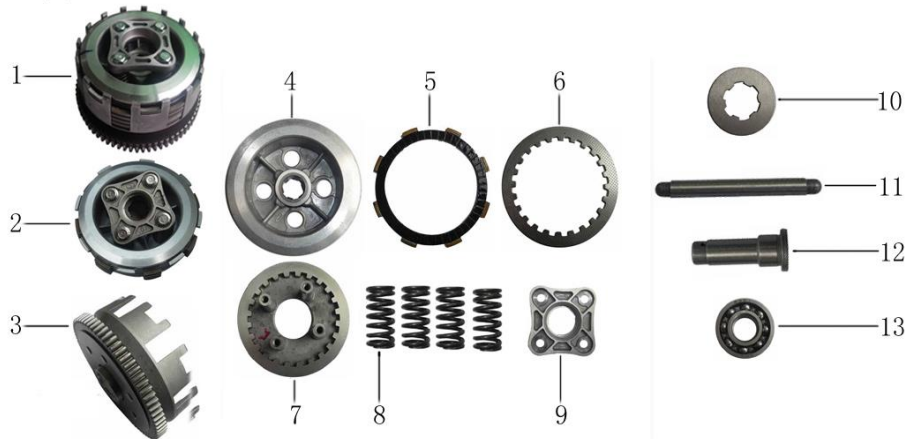
E-07 磁电机 MAGNETO



Id	PartNo	Description	Unit
E07-01	1712028110	Starting Clutch Assy	PC

E07-02	1712031102	Magneto Rotor Assy	PC
E07-03	1712031311	Magneto Locknut	PC
E07-04	1712031210	Magneto Stator Comp.	PC
E07-05	1712011419	Crankcase Cover Gasket,LH	PC
E07-06	1712011411	Crankcase Cover, LH	PC
E07-07	1712013190	Crankshaft Oil Seal,LH(50x34x7)	PC
E07-08	1712031911	Magneto Wire Clip	PC
E07-09	1712035710	Gear Indicator	PC
E07-10	1712035740	Neutral Indicator Oil Seal	PC
E07-11	1712011414	Watch Hole Plug O-Ring 13.8x2.5	PC
E07-12	1712011412	View Hole Plug	PC
E07-13	1712011415	Plug O-Ring 27.5x2.5	PC
E07-14	1712011413	Plug	PC
E07-15	1712011422	O-Ring 63x3	PC
E07-16	1712011421	Idler Cover	PC
E07-17	1712011451	Rear Cover, LH	PC

E-08 离合器 CLUTCH



Id	PartNo	Description	Unit
E08-01	1712022100	Clutch Main Body,	PC
E08-02	1712022310	Driven Disc Assy	PC
E08-03	1712022110	Drive Disc Set	PC
E08-04	1712022320	Driven Disc Set	PC
E08-05	1712022330	Drive Plate	PC
E08-06	1712022341	Driven Plate	PC
E08-07	1712022351	Clutch Pressure Plate	PC
E08-08	1712022371	Clutch Spring,(4PC)	PC
E08-09	1712022361	Clutch Lifter Plate	PC
E08-10	1712022372	Clutch Spline Washer	PC
E08-11	1712022871	Clutch Mandrel	PC
E08-12	1712022861	Clutch Pusher	PC
E08-13	GB/T276	Bearing 6001	PC

E-09 曲轴 活塞 CRANKSHAFT & PISTON



Id	PartNo	Description	Unit
E09-01	1712013100	Crankshaft & Connecting Rod	PC
E09-02	1712013150	Connecting Rod Big End Bearing	PC
E09-03	1712013118	\Crankshaft Woodruff Key	PC
E09-04	1712014211	Timing Drive Gear	PC
E09-05	1712013211	Piston	PC
E09-06	1712013300	Piston Ring Set	SET
E09-07	1712013221	Piston Pin	PC
E09-08	1712013222	Piston Pin Circlip	PC

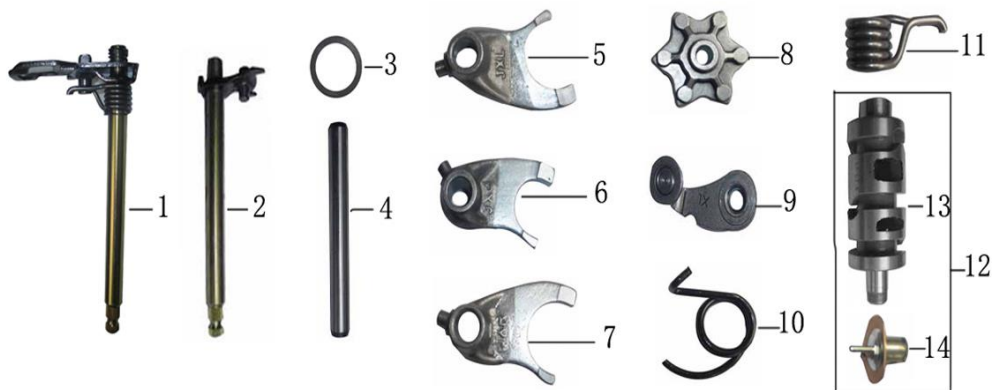
E-10 传动装置 TRANSMISSION DEVICE



Id	PartNo	Description	Unit
E10-01	1712023600	Mainshaft Assy	PC
E10-02	1712023611	Mainshaft	PC
E10-03	1712023700	Countershaft Assy	PC
E10-04	1712023771	Countershaft	PC
E10-05	1712027100	Starting Shaft Assy	PC
E10-06	1712027111	Starting Shaft	PC
E10-07	GB/T276	Bearing 6106	PC
E10-08	1712027230	Starting Driven Gear	PC
E10-09	1712027233	Washer	PC
E10-10	1712023631	Mainshaft Third Gear	PC

E10-11	1712023675	Mainshaft Spline Washer	PC
E10-12	1712023672	Circlip	PC
E10-13	1712023641	Mainshaft Fourth Gear	PC
E10-14	1712023651	Mainshaft Fifth Gear	PC
E10-15	1712023621	Mainshaft Second Gear	PC
E10-16	1712023674	Mainshaft Washer	PC
E10-17	GB/T276	Bearing 6202	PC
E10-18	GB/T290	Bearing HK152312	PC
E10-19	1712027224	Starting Mid-Gear Washer	PC
E10-20	1712027220	Starting Mid-Gear Comp.	PC
E10-21	1712027223	Starting Mid-Gear Bush	PC
E10-22	1712023773	Countershaft Washer	PC
E10-23	1712023711	Countershaft First Gear	PC
E10-24	1712023712	Countershaft 1st Gear Bush	PC
E10-25	1712023731	Countershaft Third Gear	PC
E10-26	1712023741	Countershaft Fourth Gear	PC
E10-27	1712023751	Countershaft 5th Gear	PC
E10-28	1712023721	Countershaft Second Gear	PC
E10-29	1712023774	Countershaft Washer II	PC
E10-30	GB/T276	Bearing 6204	PC
E10-31	1712023790	Oil Seal 20x34x7	PC
E10-32	1712022712	Sprocket Locating Plate	PC
E10-33	1712022711	Output Sprocket	PC
E10-34	1712027144	Starting Shaft Washer III	PC
E10-35	1712027130	Ratchet Guide	PC
E10-36	1712027141	Starting Shaft Washer II	PC
E10-37	1712027115	Starting Shaft Spring	PC
E10-38	1712027113	Ratchet	PC
E10-39	1712027114	Starting Shaft Washer I	PC
E10-40	1712027151	Starting Gear	PC
E10-41	1712027118	Starting Torsion Spring	PC
E10-42	1712027119	Starting Shaft Sleeve	PC

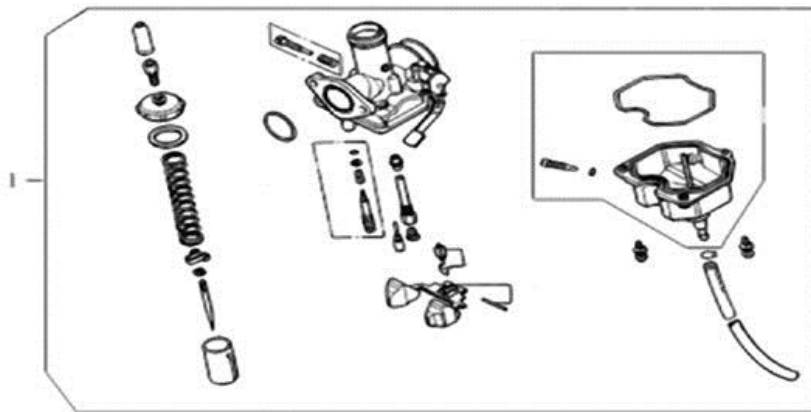
E-11 变档机构 GEARSHIFT DEVICE



Id	PartNo	Description	Unit
E11-01	1712024100	Gearshift Shaft Assy	PC
E11-02	1712024110	Gearshift Shaft	PC

E11-03	1712024124	Gearshif Shaft Washer	PC
E11-04	1712024421	Fork Shaft	PC
E11-05	1712024413	Fork III	PC
E11-06	1712024412	Fork II	PC
E11-07	1712024411	Fork I	PC
E11-08	1712024221	Gearshift Cam	PC
E11-09	1712024310	Limit Block	PC
E11-10	1712024323	Limit Block Torsion Spring	PC
E11-11	1712024123	Gearshift Shaft Reset Spring	PC
E11-12	1712024211	Gearshift Drum	PC
E11-13	1712035750	Gear Indicator Contactor Comp.	PC
E11-14	1712024210	Gearshift Drum Comp.	PC

E-12 化油器 CARBURETOR



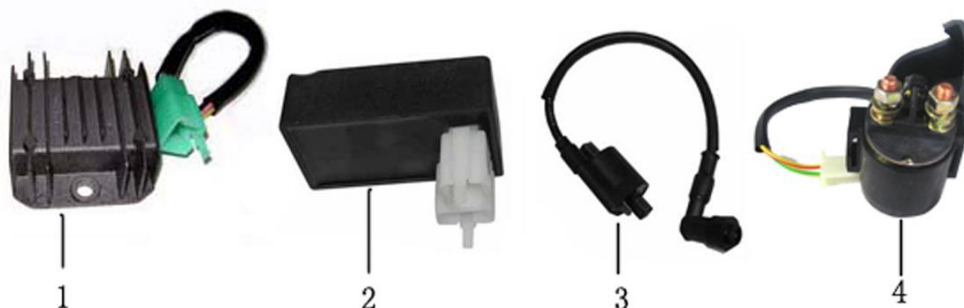
Id	PartNo	Description	Unit
E12-01	1712016100	Carburetor Assy	PC

E-13 变档杆、起动杆 GEARSHIFT PEDAL & STARTING ARM



Id	PartNo	Description	Unit
E13-01	1712024700	Gearshift Pedal Assy	PC
E13-02	1712027700	Starting Arm Assy	PC

E-14 电器 ELECTRIC ELEMENT



Id	PartNo	Description	Unit
E14-01	1712031600	Voltage Regulator	PC
E14-02	1712034400	Ignition Controller	PC
E14-03	1712034500	Ignition Coil	PC
E14-04	1712034600	Starting Relay	PC

E-15 二次进气系统 SECOND INLET SYSTEM



Id	PartNo	Description	Unit
E15-01	1712020540	Secondary Air Aeration Valve Comp.	PC
E15-02	1712020542	Secondary Air Aeration Valve Outlet Pipe	PC
E15-03	1712020591	Aeration Vacuum Pipe	PC
E15-04	1712020541	Secondary Air Aeration Valve Inlet Pipe	PC
E15-05	1712020210	Air/Fuel Separator	PC



